

產品介紹 PRODUCT TO INTRODUCE

主軸夾頭、背軸夾頭
Mail & sub spindle collet



中心導套
Guide Bush

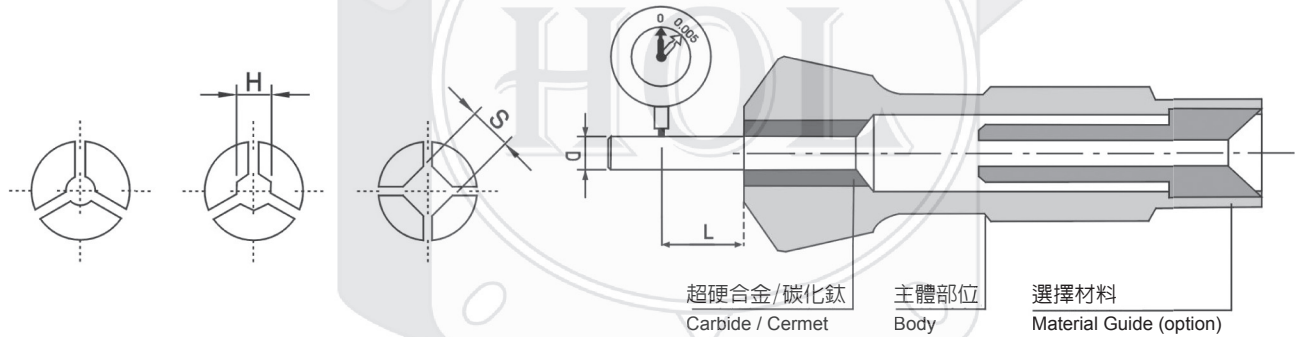


產品介紹 PRODUCT TO INTRODUCE

鈔嘴夾頭、ER系列動力夾頭、送料機夾頭、專用機夾頭
 Drill Collet, ER collet, Special Finger Chuck



品質與檢查標準 QUALITY CONTROL INSPECTION



Accuracy Chart (精度表) 單位: mm

Roundness Tolerance		
D	L=D×3	TIR
0.7-1.2	4	0.004
1.2-1.8	6	
1.8-4.0	10	
4.0-6.0	16	
6.0-10.0	25	
10.0-18.0	40	0.005
18.0-24.0	50	
24.0-30.0	60	0.008
30.0-40.0	80	

Hexagonal & Square Tolerance		
D	L=D×3	TIR
10.0-3.0	10	0.02
3.0-6.0	16	
6.0-10.0	25	
10.0-18.0	40	
18.0-24.0	50	0.02
24.0-35.0	60	

Collets & Bushes Reference Chart

型號 Model	Shank Dia. (中徑)			Length (長度)			Range max Ø	Remark
	Collet	Guide Bush	Sub Collet	Collet	Guide Bush	Sub Collet		
Citizen (西鐵城)								
R04	8.0	9.0		36.0	38.5		0.5-4.0	
L10	15.0	16.0		45.5	50.0		1.0-10.0	
R07	15.0	16.0		45.5	50.0		1.0-10.0	
A12	16.0	18.0		62.0	60.0		1.0-12.0	
B12	16.0	18.0		62.0	60.0		1.0-12.0	
C12	16.0	18.0		62.0	60.0		1.0-12.0	
K12	16.0	18.0		62.0	60.0		1.0-12.0	
M12	16.0	18.0		62.0	60.0		1.0-12.0	
BL12	19.05		16.0	77.0		62.0	1.0-12.0	Slot Sealed
A16	20.0	22.0	20.0	67.0	68.0	67.0	1.0-16.0	Slot Sealed
C16	20.0	22.0	20.0	67.0	68.0	67.0	1.0-16.0	Slot Sealed
K16	20.0	22.0	20.0	67.0	68.0	67.0	1.0-16.0	Slot Sealed
M16-111	20.0	22.0	20.0	67.0	68.0	67.0	1.0-16.0	Slot Sealed
L16/20	26.0	30.0	26.0	67.0	59.0	67.0	2.0-20.0	Slot Sealed
B20	26.0	30.0	26.0	67.0	59.0	67.0	2.0-20.0	Slot Sealed
M20	26.0	30.0	26.0	67.0	59.0	67.0	2.0-20.0	Slot Sealed
E16/20	26.0	30.0	26.0	67.0	59.0	67.0	2.0-20.0	Slot Sealed
F16/20	26.0	30.0	26.0	67.0	59.0	67.0	2.0-20.0	Slot Sealed
BL20	33.0		26.0	100.0		67.0	2.0-25.0	Slot Sealed
BL25	33.0		30.0	100.0		78.0	2.0-25.0	Slot Sealed
L25	30.0	34.0	30.0	78.0	87.0	78.0	2.0-25.0	Slot Sealed
F25	30.0	34.0	30.0	78.0	87.0	78.0	2.0-25.0	Slot Sealed
E25	30.0	34.0	30.0	78.0	87.0	78.0	2.0-25.0	Slot Sealed
FL25	32.0		32.0	75.0		75.0	1.0-25.0	Slot Sealed
C32	37.0	42.0	37.0	97.0	82.0	97.0	4.0-32.0	Slot Sealed
L32	37.0	42.0	37.0	97.0	82.0	97.0	4.0-32.0	Slot Sealed
M32	37.0	42.0	37.0	97.0	82.0	97.0	4.0-32.0	Slot Sealed
E32	37.0	42.0	37.0	97.0	82.0	97.0	4.0-32.0	Slot Sealed
Star (星牌)								
SJ-8R	12.0	14.0		51.0	34.0		1.0-8.0	
SJ-8R太口	15.0	16.0		64.0	37.0		1.0-10.0	
SW-7	15.0	16.0	15.0	64.0	59.0	64.0	1.0-7.0	Slot Sealed
JNC10	15.0	16.0		64.0	59.0		1.0-10.0	
RNC10	15.0	16.0		64.0	59.0		1.0-10.0	
SNC10	15.0	16.0		64.0	59.0		1.0-10.0	
SJ15	18.0	21.0		67.0	58.0		1.0-15.0	
SH12	18.0	21.0		67.0	58.0		1.0-15.0	
VNC12	18.0	21.0		67.0	58.0		1.0-15.0	
S13	18.0	21.0		67.0	58.0		1.0-15.0	
SNC15	18.0	21.0		67.0	58.0		1.0-15.0	
SA16	20.0	22.0	20.0	67.0	68.0	67.0	2.0-16.0	Slot Sealed
SH16	20.0	22.0	20.0	67.0	68.0	67.0	2.0-16.0	Slot Sealed
SR16	20.0	22.0		67.0	68.0		2.0-16.0	
SR16R	20.0	22.0		67.0	68.0		2.0-16.0	
RNC16	20.0	22.0		67.0	68.0		2.0-16.0	
VNC20	26.0	30.0		67.0	59.0		2.0-20.0	
SR20/20R	26.0	30.0	26.0	67.0	59.0	67.0	2.0-20.0	Slot Sealed
KNC20	26.0	30.0		67.0	59.0		2.0-20.0	
SV20	26.0	30.0	26.0	67.0	59.0	67.0	2.0-20.0	Slot Sealed
JNC20	26.0	30.0		67.0	59.0		2.0-20.0	
JNC32	37.0	42.0		92.0	82.0		3.0-30.0	
KNC32	37.0	42.0		92.0	82.0		3.0-30.0	
JNC25	37.0	42.0		92.0	82.0		3.0-30.0	
KNC25	37.0	42.0		92.0	82.0		3.0-30.0	
Tsugami (津上)								
T7	10.0	11.0		47.0	52.0		0.5-7.0	
BO007	10.0	11.0	10.0	47.0	52.0	47.0	0.5-7.0	Slot Sealed
L10	14.0	15.0		47.0	54.0		1.0-10.0	
NT11	14.0	15.0		47.0	54.0		1.0-10.0	
NP11	14.0	15.0		47.0	54.0		1.0-10.0	
NP16/17	23.8	23.0	23.8	62.0	72.0	62.0	1.0-18.0	Slot Sealed
NT17	23.8	23.0		62.0	72.0		1.0-18.0	
BO12	23.8	23.0		62.0	72.0		1.0-18.0	
BS12	23.8	23.0		62.0	72.0		1.0-18.0	
BS18	28.0	30.0	23.8	77.0	70.0	62.0	1.0-20.0	Slot Sealed

Collets & Bushes Reference Chart

型號 Model	Shank Dia. (中徑)			Length (長度)			Range max Ø	Remark
	Collet	Guide Bush	Sub Collet	Collet	Guide Bush	Sub Collet		
Tsugami (津上)								
BS20	28.0	30.0	25.0	77.0	70.0	77.0	1.0-20.0	Slot Sealed
BO18	28.0	30.0	23.8	77.0	70.0	62.0	1.0-20.0	Slot Sealed
S20	28.0	30.0		77.0	70.0		1.0-20.0	
NP20	25.0	30.0		77.0	70.0		2.0-20.0	
BM16	30.0		16.0 (23.8)	75.0		62.0 (62.0)	4.0-20.0	Slot Sealed
BA26	33.0	33.0	25.0	80.0	70.0	80.0	3.0-28.0	Slot Sealed
BS26	33.0	34.0		80.0	87.5		3.0-28.0	
Nomura (野村)								
P10	16.0	16.0		53.0	63.0		1.0-10.0	
NS-P1053	16.0	16.0		53.0	63.0		1.0-10.0	
P16	20.0	22.0		67.0	70.0		1.0-16.0	
NS-P1653	20.0	22.0		67.0	70.0		1.0-16.0	
P20	26.0	30.0		67.5	67.5		2.0-20.0	
Tornos (瑞士特納斯)								
Deco								
D7	13.0	16.0		64.0	59.0		1.0-7.0	
D10	13.0	16.0		64.0	59.0		1.0-10.0	
D13	20.0	24.0	20.0	54.0	61.0	54.0	1.0-16.0	Slot Sealed
D20	25.0	28.0	25.0	77.0	81.0	77.0	2.0-20.0	Slot Sealed
MultiDeco20	34.0		28.0	87.0		73.0	3.0-20.0	Slot Sealed
Riken (理研)								
SAD25	30.0			66.0			3.0-25.0	
SAD40	48.0			84.0			40.0 below	
SAD50	56.0			94.0			50.0 below	
Miyano (宮野)								
BNC20	27.0			73.0			1.0-20.0	
BNC34	44.4			108.0			1.0-34.0	
B6-20	41.0			138.0				
BNF16	28.0		22.0	70.0		55.0	1.0-21.0	Slot Sealed
171E	42.0			94.0			5.0-32.0	
173E	48.0			94.0			5.0-38.0	
176E	56.0			94.0			5.0-48.0	
177E	58.0			94.0			5.0-48.0	
Strom								
M125	15.0	18.0		64.0	60.0		1.0-12.0	
M105	15.0	18.0		64.0	60.0		1.0-12.0	
Eugro (江黑)								
D6	19.05			77.0			1.0-12.0	
D8	25.0			103.0			2.0-18.0	
Hydromat								
W25	25.0			97.5			2.0-20.0	
Takahashi								
	26.0			120.0			2.0-20.0	
Kitamura								
KI20	26.0			105.0			2.0-20.0	
ACME								
ACME5/8	31.0			105.0			1.0-8.0	
ACME7/16	24.0		17.1	78.5		65.0	2.0-16.0	Slot Sealed